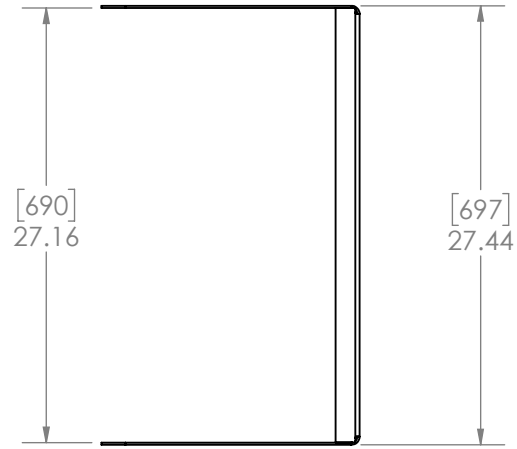
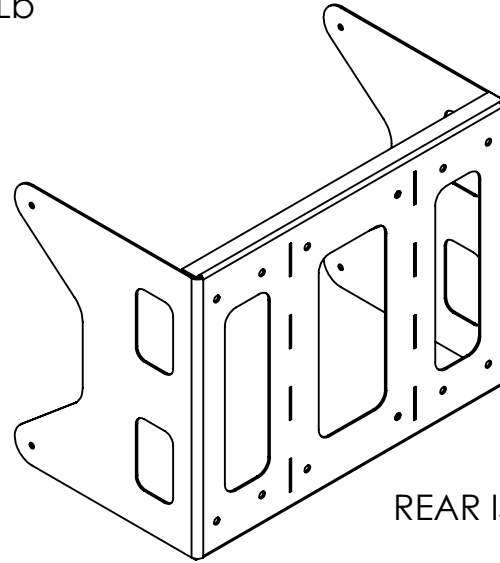


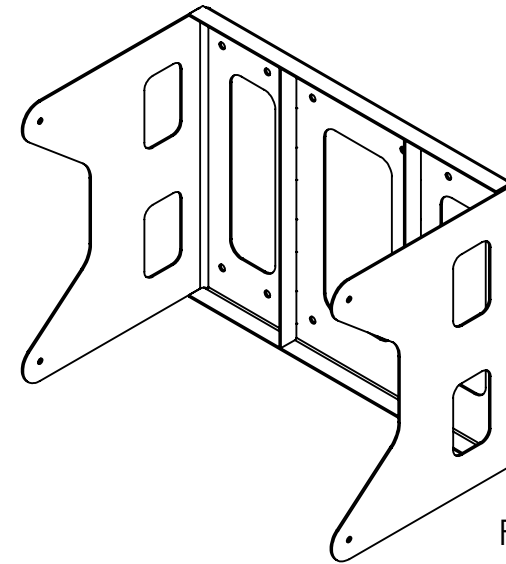
Maximum working load limit (WLL) 150Lb  
 FOS 7:1



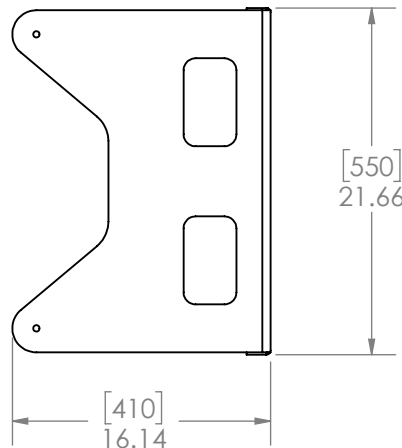
TOP



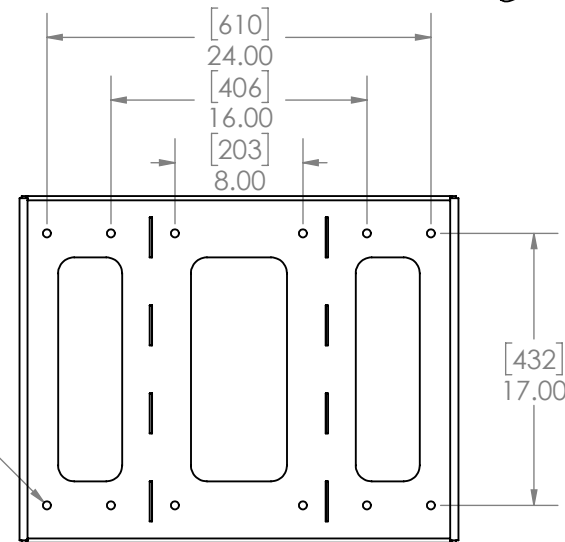
REAR ISO



FRONT ISO



SIDE



REAR

[13]  
 Ø .50  
 Typical 12 Places

**PROPRIETARY AND CONFIDENTIAL**  
 THE INFORMATION CONTAINED IN THIS DRAWING IS THE SOLE PROPERTY OF RMS-ACOUSTICS. ANY REPRODUCTION IN PART OR AS A WHOLE WITHOUT THE WRITTEN PERMISSION OF RMS-ACOUSTICS IS PROHIBITED.

DIMENSIONS ARE IN INCHES TOLERANCES: ±0.03 ANGULAR: ±0.1 BEND ±0.5		NAME	DATE
DRAWN		RM	6/2/2020
CHECKED			
MATERIAL		File Name:	
10 Gauge Cold Rolled Steel		FILE NAME	
FINISH	Black Powder Coat Standard White or custom RAL Color available for additional cost Custom Color will increase lead time		

**RMS**  
**ACOUSTICS**  
 13720 24TH ST E, UNIT E110  
 SUMNER, WA 98390  
 253-693-8569

SIZE	Project Name:	REV.
<b>A</b>	WM-M118iWM	<b>1</b>
Tuesday, June 2, 2020 7:40:34 AM		