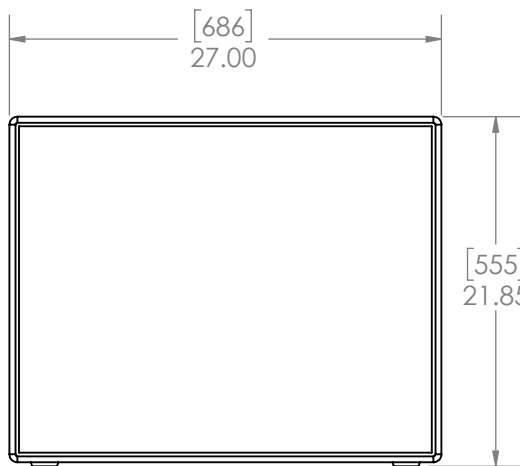
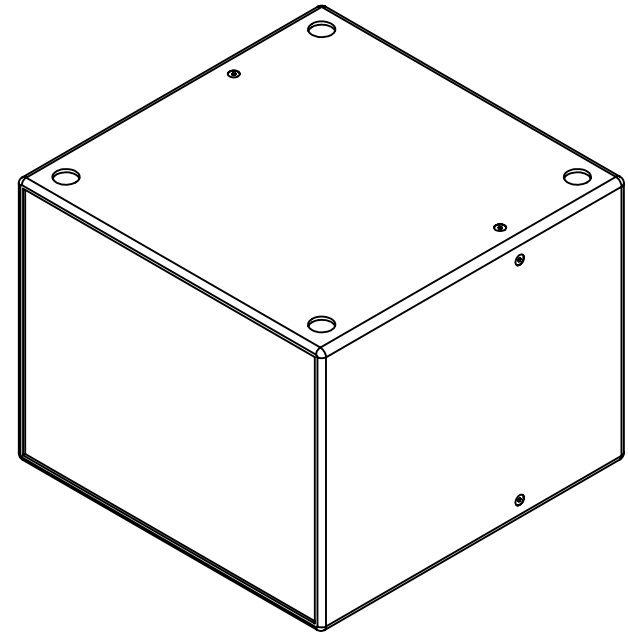
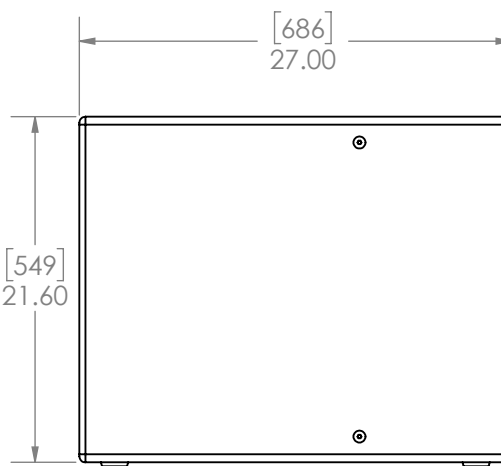


10mm x 1.5 Threaded location
Typical 8 Places on cabinet

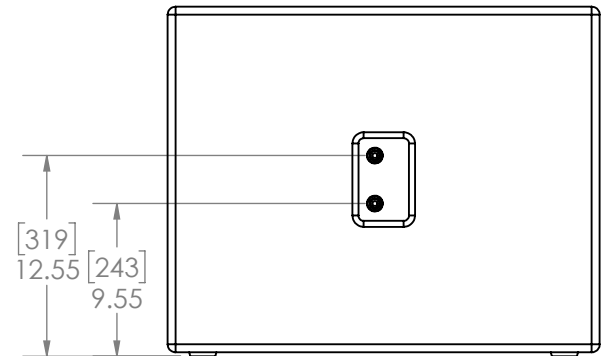
TOP



FRONT



SIDE




REAR

WM-M118iWM is intended bracket for wall mount installation

Rear Connections (2) NL4 with loudspeaker
wired pins 1+, 1-

Net Weight 112 Lb 60Kg
Shipping Weight 120Lb 54.5Kg

PROPRIETARY AND CONFIDENTIAL
THE INFORMATION CONTAINED IN THIS
DRAWING IS THE SOLE PROPERTY OF
RMS-ACOUSTICS. ANY
REPRODUCTION IN PART OR AS A WHOLE
WITHOUT THE WRITTEN PERMISSION OF
RMS-ACOUSTICS IS PROHIBITED.

DIMENSIONS ARE IN INCHES TOLERANCES: ±0.05 ANGULAR: ±0.1 BEND ±0.5	NAME	DATE	 <p>13720 24TH ST E, UNIT E110 SUMNER, WA 98390 253-693-8569</p>
	DRAWN	RM	
CHECKED			
MATERIAL	File Name:		SIZE
Various	FILE NAME		A
FINISH	Black Texture Polyurethane White optional, custom RAL color available for additional cost Custom color will increase lead time		Project Name:
			M118iWM Architectural Dimensions
			Tuesday, June 2, 2020 8:28:44 AM
			REV.
			1